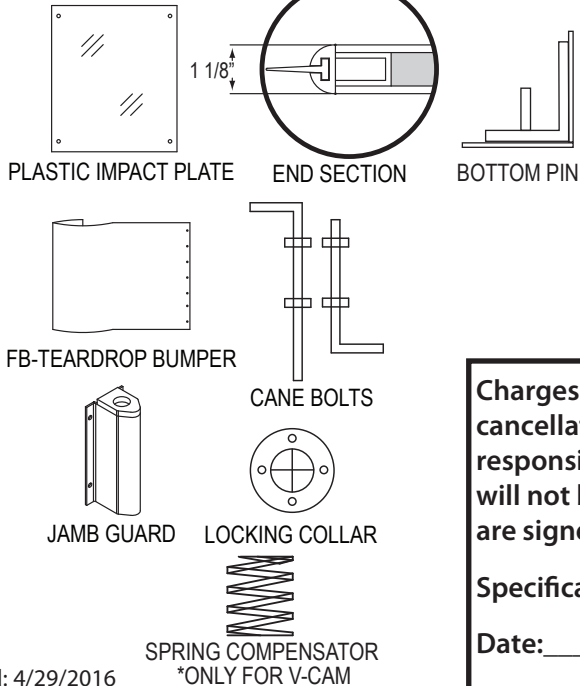
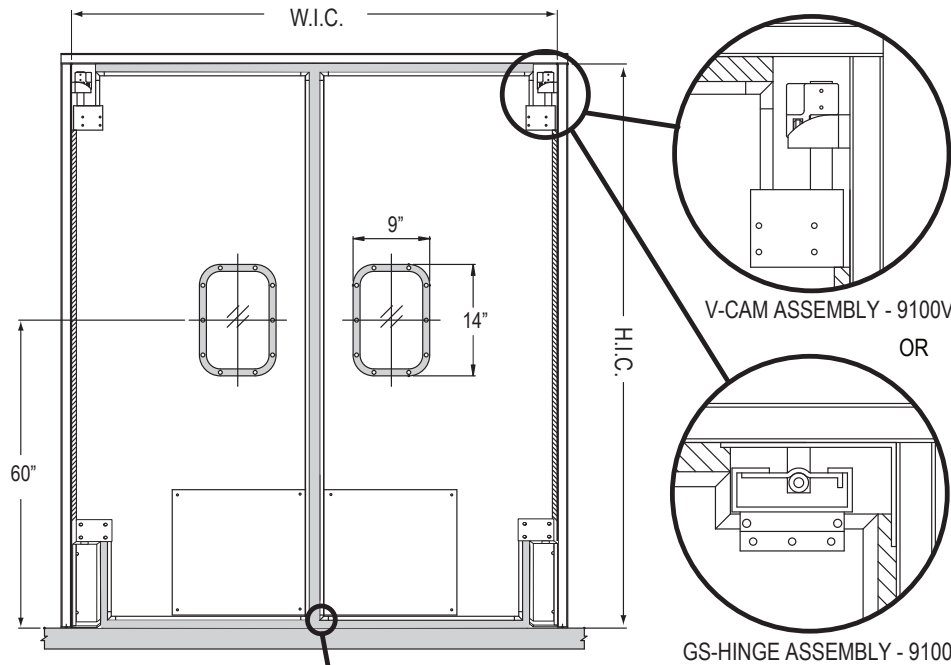


# DOUBLE ACTING "RIGID INSULATED" TRAFFIC DOORS



Doors to be constructed from welded aluminum infrastructure with thermo-plastic facings.

- Standard features are:
- GS Hinge - Bottom Pin - 9100
  - V-cam Hinge - 10" Jamb Guards - 9100V
  - 9"x14" Vacuum formed Window Frames.
  - Full height reinforced hinge structure.
  - Fully insulated, 1" thick panels.

**\*CAFE DOOR ON SEPARATE SPEC SHEET.**

**Charges will be assumed by buyer for changes or cancellations to work in process. Buyer hereby accepts responsibility for all sizes and dimensions. This order will not be processed until all acknowledgement forms are signed and returned.**

Specification accepted by: \_\_\_\_\_

Date: \_\_\_\_\_

Updated: 4/29/2016

**National ACCESS DESIGN**

513-351-3400  
sales@nationalaccessdesign.com

**DOOR SPECIFICATION**

Opening Width \_\_\_\_\_ x Height \_\_\_\_\_

Qty. \_\_\_\_\_

BI-PARTING \_\_\_\_\_ SINGLE PANEL \_\_\_\_\_  
L R

WASH DOWN OPTION \_\_\_\_\_

**THERMOPLASTIC FACINGS COLOR OPTIONS**

WHITE	BLACK	BEIGE
GREEN	BROWN	RED
CANYON BLUE	LT. GRAY	DK.GRAY

UPGRADE TO STAINLESS STEEL FACING \_\_\_\_\_

**IMPACT PLATES (STANDARD BLACK ABS)**

PL12"	PL18"	PL24"
PL30"	PL36"	PL42"
PL48"		

**OTHER IMPACT OPTIONS**

STAINLESS STEEL ALUM. DIAMOND TREAD PLATE

**TEARDROP BUMPER (STANDARD BLACK ABS)**

FB12"	FB18"	FB24"	FB30"
FB36"	FB42"	FB48"	

**WINDOW SIZES**

9"x14" (STANDARD)	14"x16"
22"x 22"	10"x30"

**HARDWARE OPTIONS**

10" JAMB GUARDS (STANDARD)  
10" JAMB GUARDS STAINLESS STEEL

CANE BOLTS SPRING COMPENSATORS  
LOCKING COLLARS

**NAD-9100 OR 9100V**

\_\_\_\_\_

JOB NAME/LOCATION

\_\_\_\_\_

CUSTOMER/LOCATION

\_\_\_\_\_

CUST. ORDER NO.

CUST. PO ORDER NO.