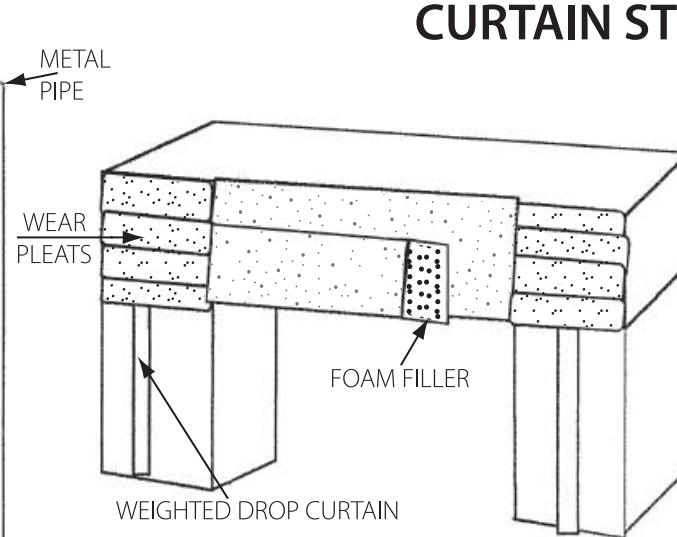
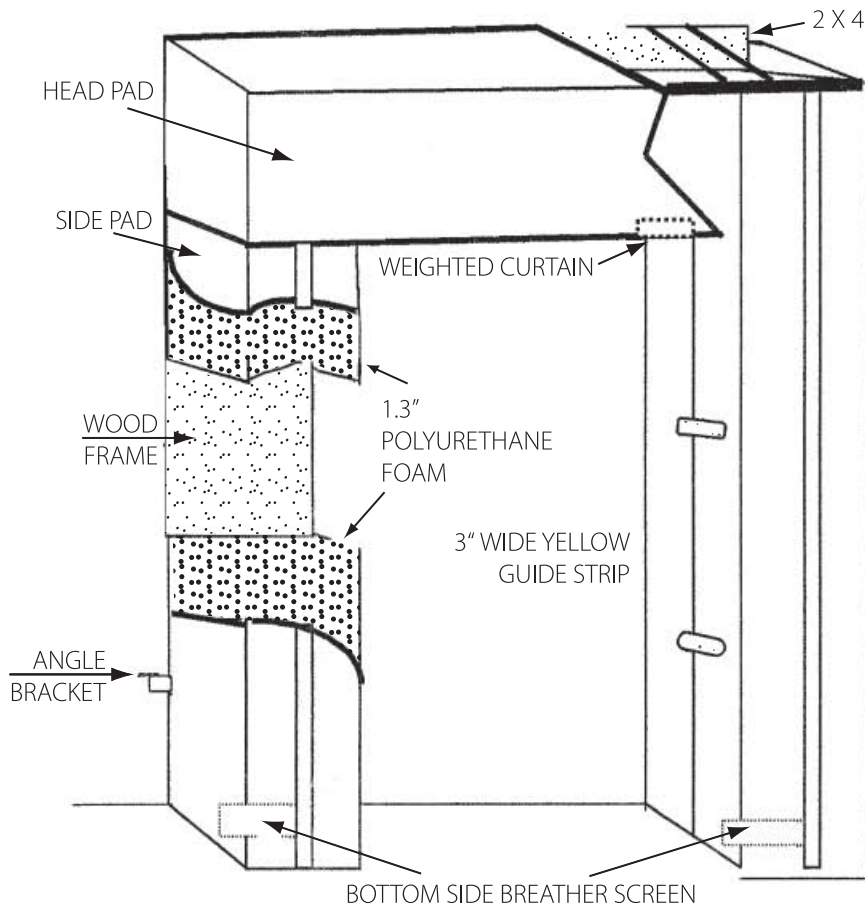
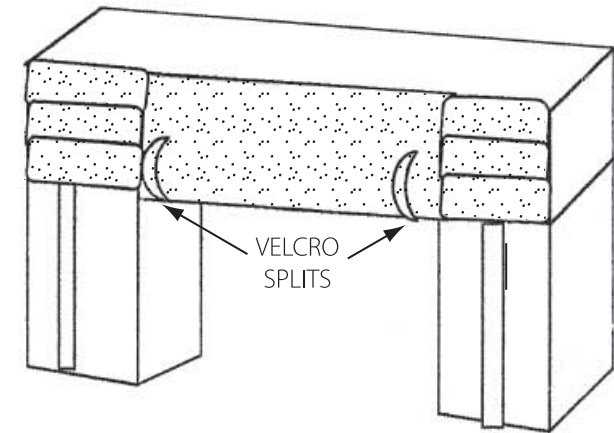


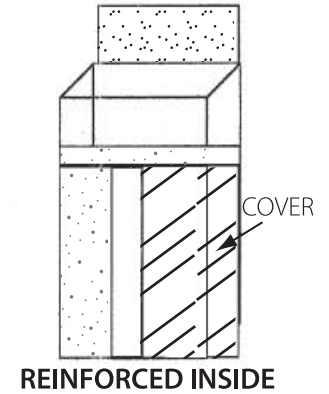
# MODEL 80 COMPRESSION SEAL CURTAIN STYLE HEADER



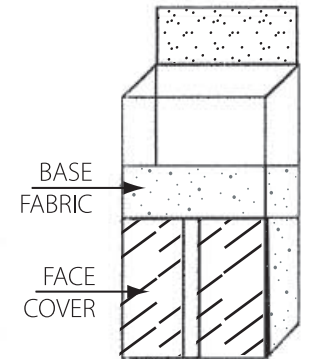
**CURTAIN HEADER WITH FOAM**



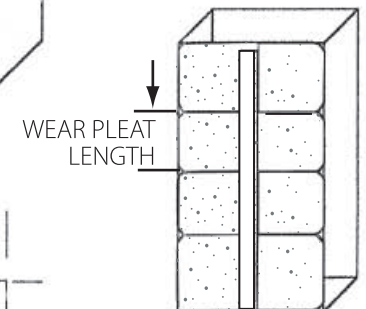
**CURTAIN STYLE HEAD PAD**



**REINFORCED INSIDE**

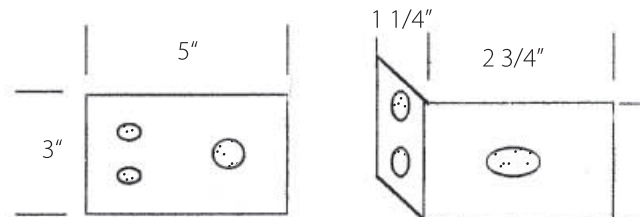


**WEAR FACE**



**WEAR PLEAT SIZES**

- 4" EXPOSURE (9" PLEATS)
- 8" EXPOSURE (13" PLEAT)
- 16" EXPOSURE (16" PLEAT)



**ANGLE AND FLAT MOUNTING BRACKETS**

Charges will be assumed by buyer for changes or cancellations to work in process. Buyer hereby accepts responsibility for all sizes and dimensions. This order will not be processed until all acknowledgement forms are signed and returned.

Specification Accepted By: \_\_\_\_\_

Date: \_\_\_\_\_