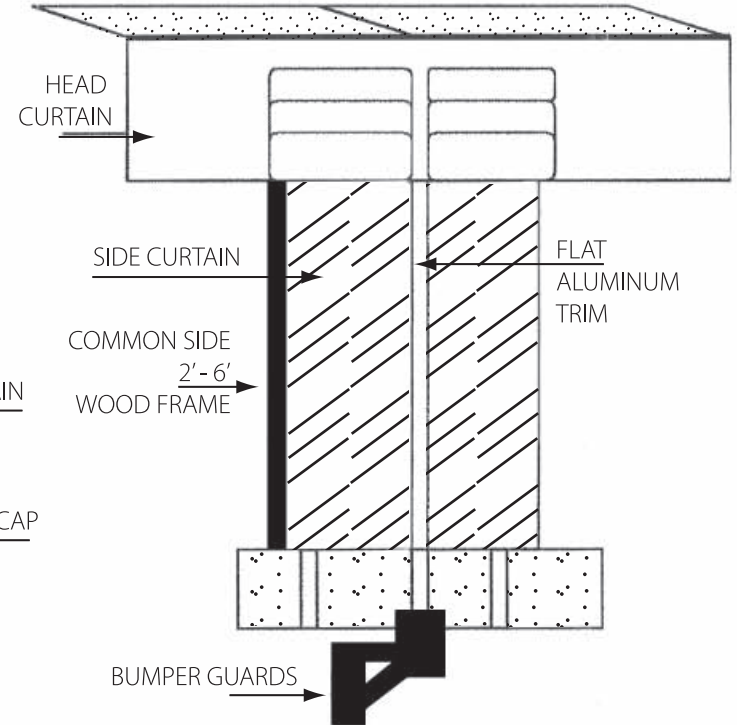


# MODEL 40 RIGID SHELTER

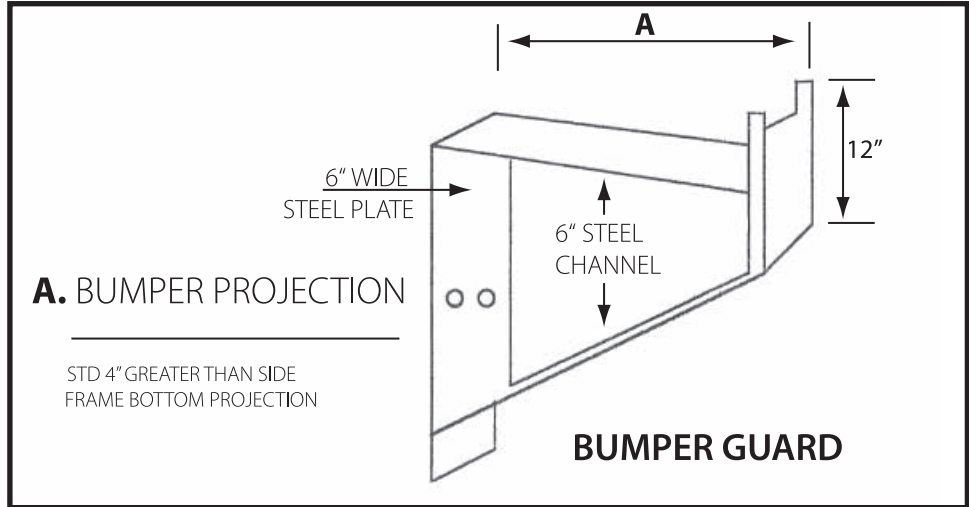
## COMMON SIDE MEMBER



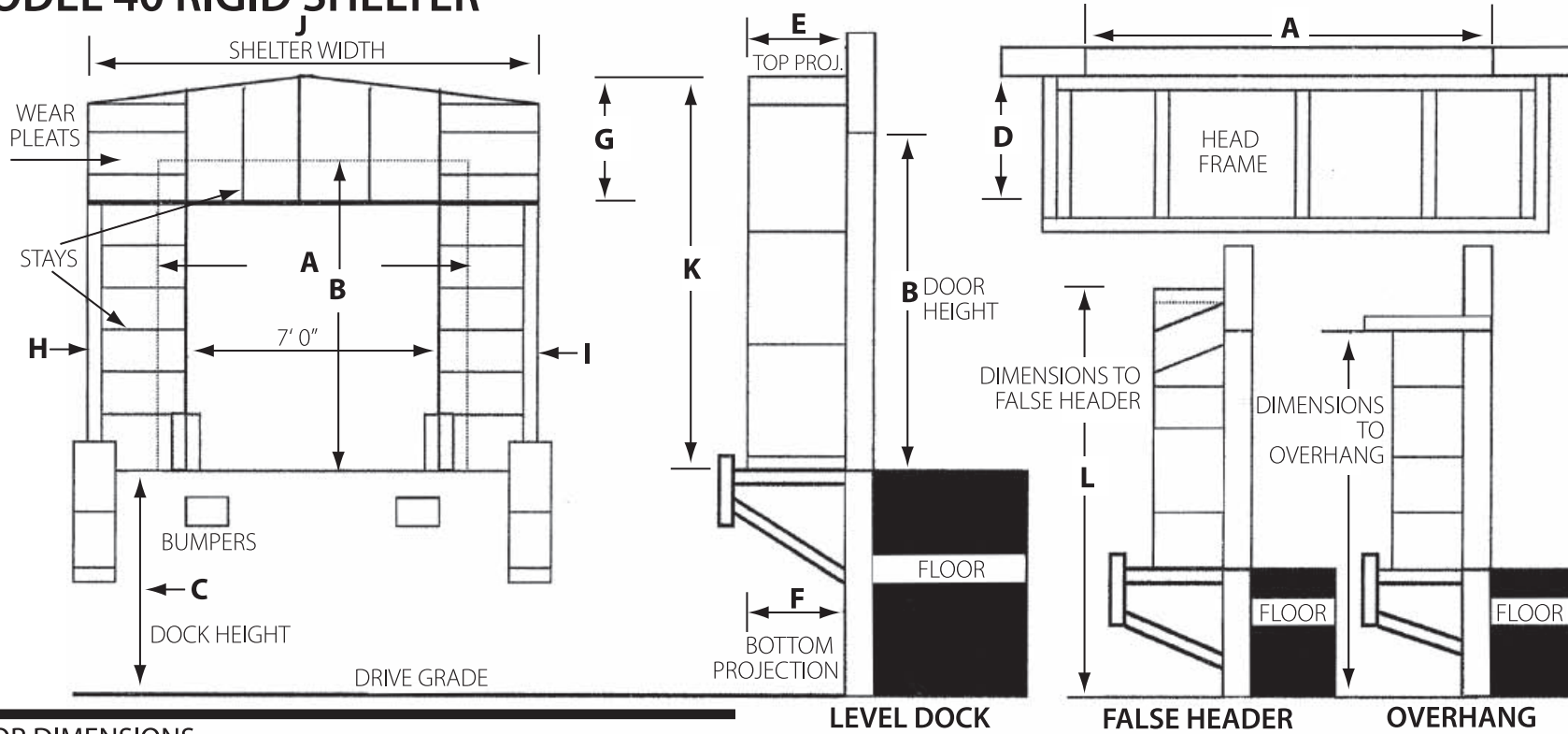
Charges will be assumed by buyer for changes or cancellations to work in process. Buyer hereby accepts responsibility for all sizes and dimensions. This order will not be processed until all acknowledgement forms are signed and returned.

Specification Accepted By: \_\_\_\_\_

Date: \_\_\_\_\_



# MODEL 40 RIGID SHELTER



## DOOR DIMENSIONS

- A. DOOR WIDTH \_\_\_\_\_
- B. DOOR HEIGHT \_\_\_\_\_
- C. DOCK HEIGHT \_\_\_\_\_

## SHELTER SPECS.

- D. HEAD FRAME PROJECTION \_\_\_\_\_
- E. SIDE FRAME TOP PROJ. \_\_\_\_\_
- F. SIDE FRAME BOTTOM PROJ. \_\_\_\_\_
- G. HEAD CURTAIN LENGTH \_\_\_\_\_
- H. LEFT SIDE CURTAIN WIDTH \_\_\_\_\_
- I. RIGHT SIDE CURTAIN WIDTH \_\_\_\_\_
- J. SHELTER WIDTH \_\_\_\_\_  
(RECOMMENDED 11'0" MIN.-15' MAX.)
- K. SHELTER HEIGHT \_\_\_\_\_  
(RECOMMENDED 11'6" MIN.-13' MAX. EXCEPT GROUND LEVEL TYPE)
- L. DIMENSION TO FALSE HEADER \_\_\_\_\_
- M. DIMENSION TO OVERHANG \_\_\_\_\_

DOOR TYPE	OPTIONS
<input type="checkbox"/> OVERHANG	<input type="checkbox"/> F. G. SIDE PANELS
<input type="checkbox"/> GROUND LEVEL	<input type="checkbox"/> VINYL SIDE PANELS
<input type="checkbox"/> SET BACK WALL	<input type="checkbox"/> COMMON SIDE MEMBER
<b>FABRIC</b>	<input type="checkbox"/> RIGID STEEL FRAME
<input type="checkbox"/> 22 OZ. VINYL	<input type="checkbox"/> FALSE HEADER
<input type="checkbox"/> 40 OZ. VINYL	
<input type="checkbox"/> 40 OZ. LTA	
<input type="checkbox"/> 40 OZ. HYPALON	

