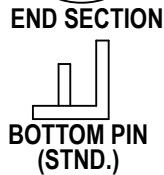
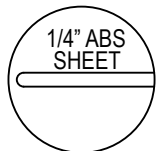
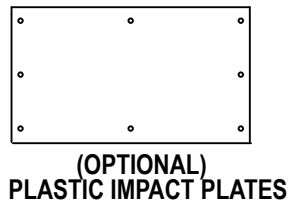
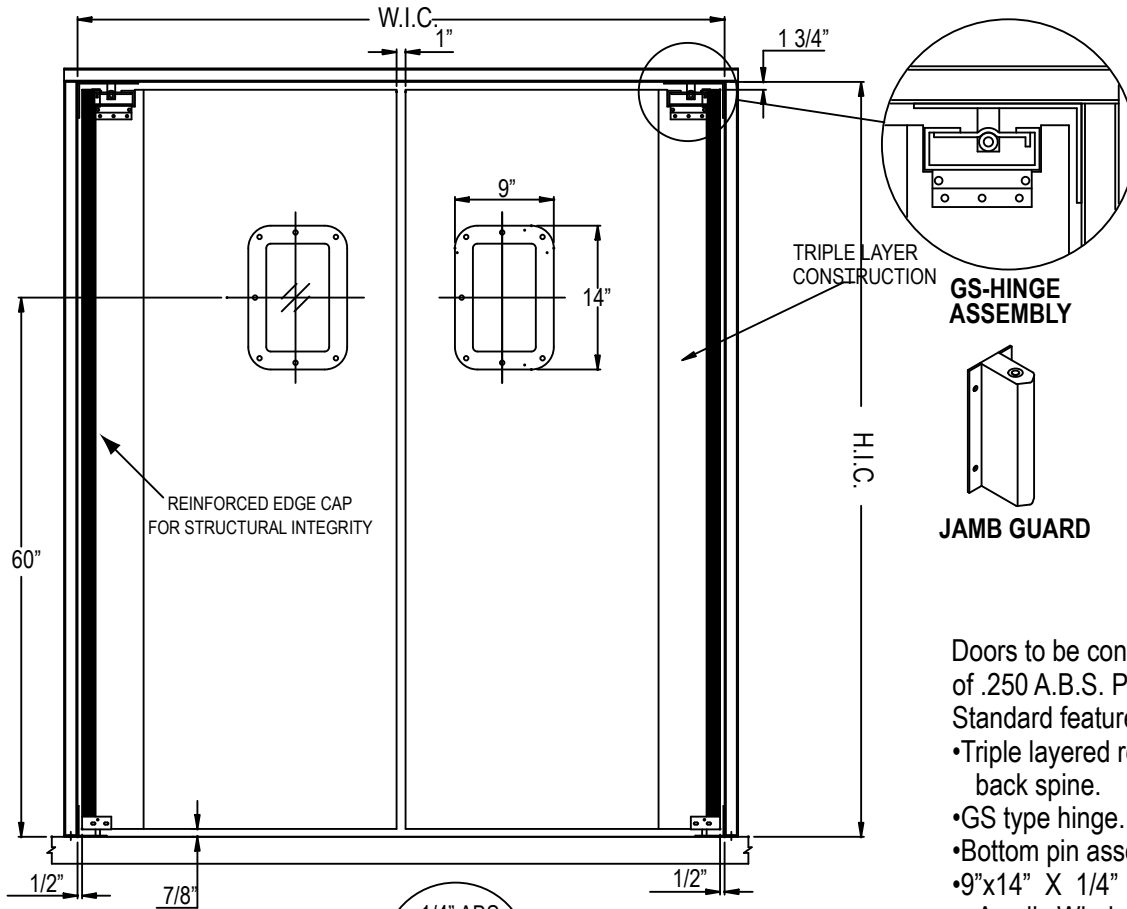
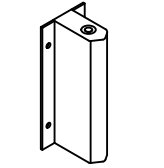


# DOUBLE ACTING "RIGID" TRAFFIC DOOR



TRIPLE LAYER CONSTRUCTION

GS-HINGE ASSEMBLY



JAMB GUARD

Doors to be constructed of .250 A.B.S. Plastic Sheet.  
Standard features are:  
•Triple layered reinforced back spine.  
•GS type hinge.  
•Bottom pin assembly.  
•9"x14" X 1/4"  
Acrylic Window Set In A.B.S. Frames.  
•Not gasketed.

**National ACCESS DESIGN LLC**

(513) 351-3400

nadllc@fuse.net

www.nationalaccessdesign.com

## DOOR SPECIFICATION

Opening Width \_\_\_\_\_ x Height \_\_\_\_\_

Qty. \_\_\_\_\_

BI-PARTING

SINGLE PANEL

L  R

## STANDARD COLORS .250 ABS

BLACK

WHITE

BEIGE

\* OTHER COLORS CONSULT FACTORY

## IMPACT OPTIONS (BLACK ABS STANDARD)

PL12"

PL18"

PL24"

PL30"

PL36"

PL48"

## WINDOW SIZES (ABS FRAMES)

6"x12"

9"x14" (STANDARD)

10"x30"

14"x16"

22" x22"

## HARDWARE OPTIONS

BOTTOM PIN (STANDARD)

SSGS HINGE W/ BOTTOM PIN

JG-10 (10")

Charges will be assumed by buyer for changes or cancellations to work in process. Buyer hereby accepts responsibility for all sizes and dimensions. This order will not be processed until all acknowledgement forms are signed and returned.

Specification accepted by: \_\_\_\_\_

Date: \_\_\_\_\_

\*Cafe door on separate spec sheet.

**NAD-6000**

JOB NAME/LOCATION

CUSTOMER/LOCATION

CUST. ORDER NO.

CUST. P.O. NO.