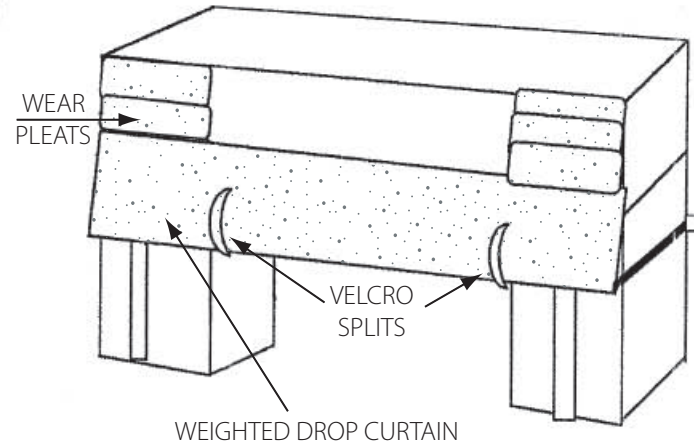
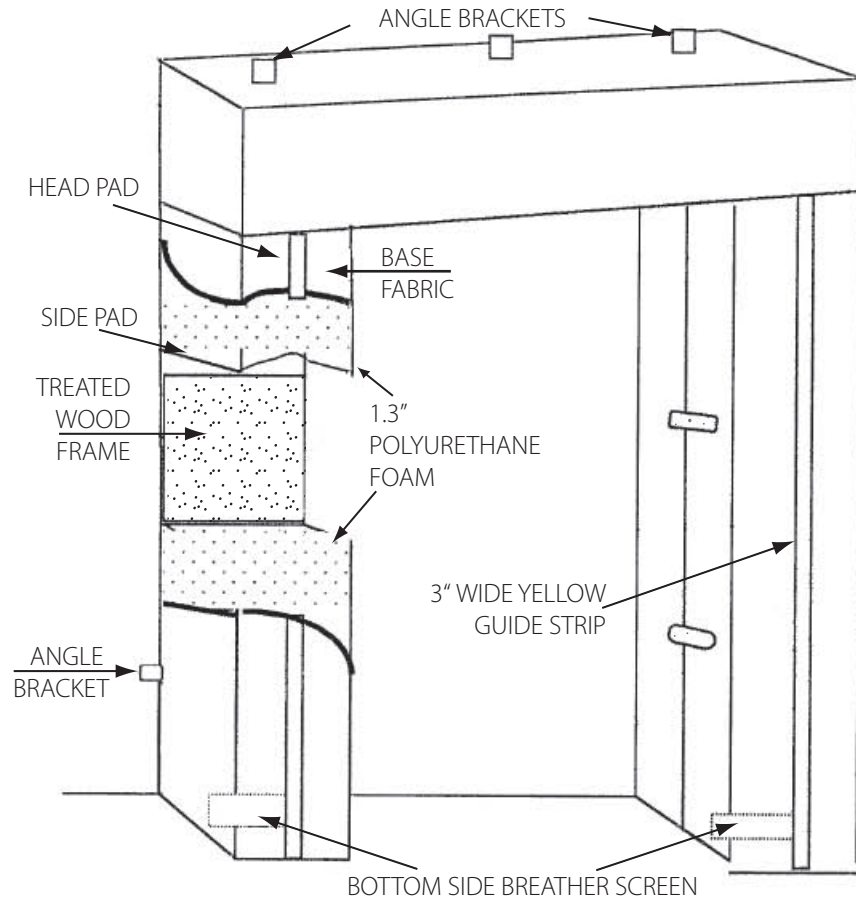
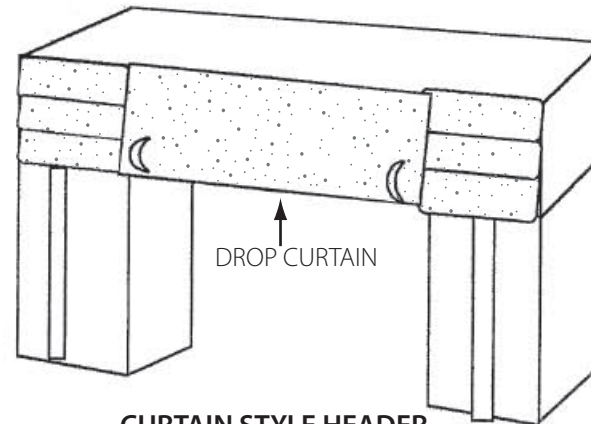


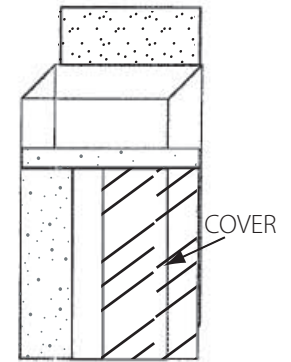
# MODEL 20 COMPRESSION SEAL FIXED HEAD PAD



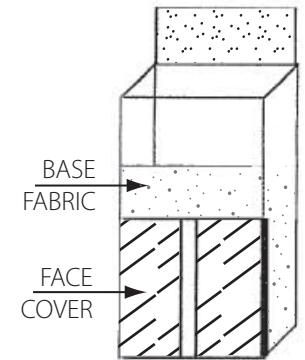
**FIXED HEAD PAD WITH DROP CURTAIN**



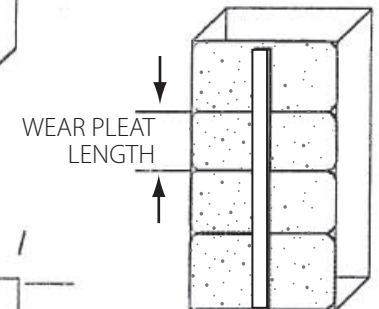
**CURTAIN STYLE HEADER**



**REINFORCED INSIDE**

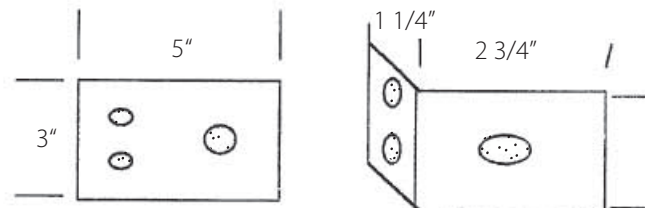


**WEAR FACE**



**WEAR PLEAT SIZES**

- 4" EXPOSURE (9" PLEATS)
- 8" EXPOSURE (13" PLEAT)
- 16" EXPOSURE (16" PLEAT)



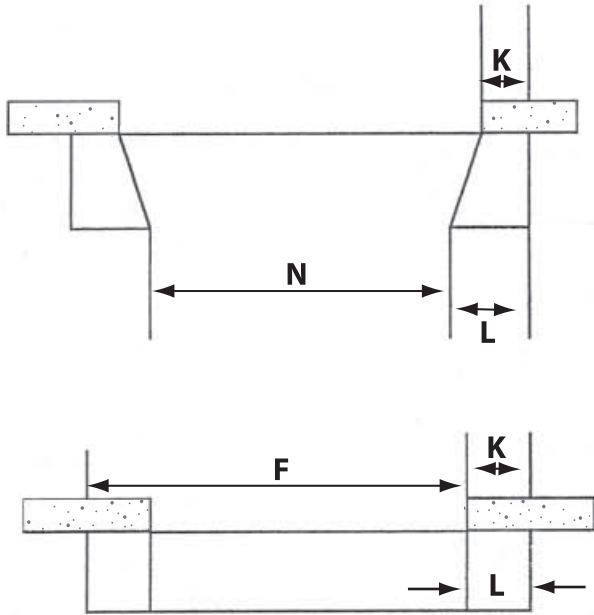
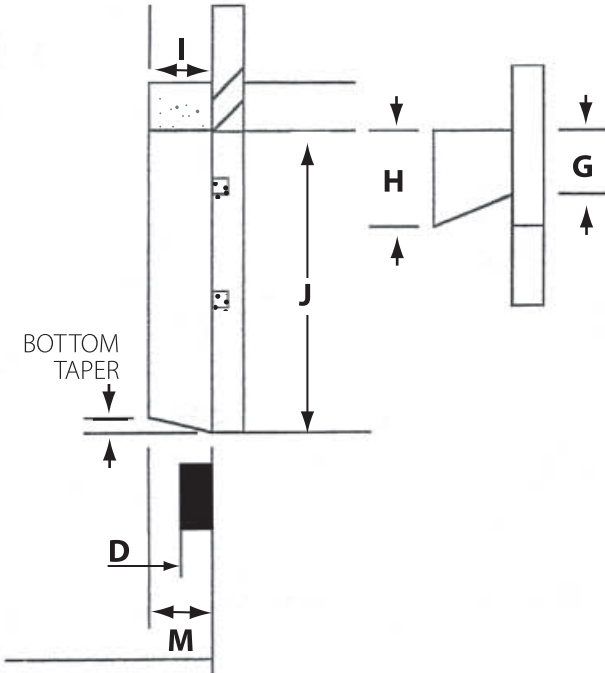
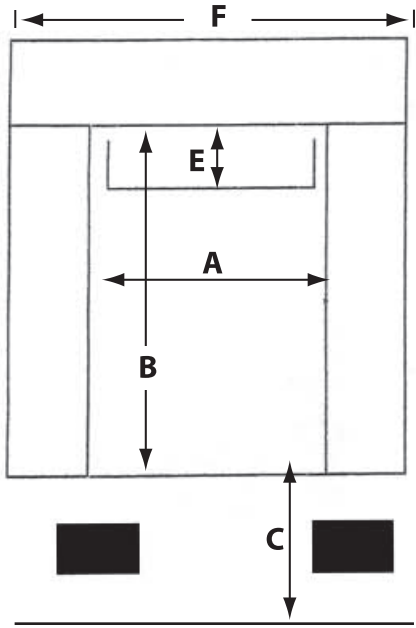
**ANGLE AND FLAT MOUNTING BRACKETS**

Charges will be assumed by buyer for changes or cancellations to work in process. Buyer hereby accepts responsibility for all sizes and dimensions. This order will not be processed until all acknowledgement forms are signed and returned.

Specification Accepted By: \_\_\_\_\_

Date: \_\_\_\_\_

# SERIES C FIXED HEAD PAD



**DOOR DIMENSIONS**

- A. DOOR WIDTH \_\_\_\_\_
- B. DOOR HEIGHT \_\_\_\_\_
- C. DOCK HEIGHT \_\_\_\_\_
- D. DOCK BUMPERS + SETBACK = TOTAL PROJECTION \_\_\_\_\_
- BLOCK OUT (if required)  
PROJECTION \_\_\_\_\_  
FABRIC \_\_\_\_\_  
COLOR \_\_\_\_\_

**HEAD PAD DATA**

- F. WIDTH HEAD PAD \_\_\_\_\_
- G. HEIGHT @ REAR \_\_\_\_\_
- H. HEIGHT @ FACE \_\_\_\_\_
- I. TOTAL PROJECTION \_\_\_\_\_

- MOUNTING OVER SIDE PAD
- MOUNTING BETWEEN SIDE PAD

**OPTIONS**

- FACE PROTECTOR  
FABRIC \_\_\_\_\_  
COLOR \_\_\_\_\_
- CORNER SUPER PLEATS  
FABRIC \_\_\_\_\_  
COLOR \_\_\_\_\_  
PLEAT EXPOSURE \_\_\_\_\_
- GALVANIZED STEEL BACK
- WEIGHTED DROP CURTAIN

**SIDE PAD DATA**

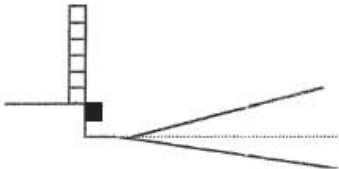
- G. TOTAL PROJ @ TOP \_\_\_\_\_
- J. HEIGHT \_\_\_\_\_
- K. WIDTH @ REAR \_\_\_\_\_
- L. WIDTH @ FACE \_\_\_\_\_
- M. TOTAL PROJ. @ BOTTOM \_\_\_\_\_
- N. SIDE PAD I.D. \_\_\_\_\_

**OPTIONS**

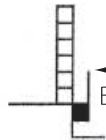
- WEAR FACE  
FABRIC \_\_\_\_\_  
COLOR \_\_\_\_\_
- REINFORCED INSIDE  
FABRIC \_\_\_\_\_  
COLOR \_\_\_\_\_
- WEAR PLEATS  
FABRIC \_\_\_\_\_  
COLOR \_\_\_\_\_  
PLEAT EXPOSURE \_\_\_\_\_
- GALVANIZED STEEL BACK

**DRIVE APPROACH**

- LEVEL
- DECLINE
- INCLINE

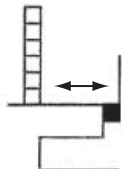


**BUMPER PROJECTIONS**

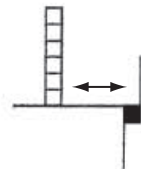


DECLINE LEVEL  
BUMPER PROJECTION

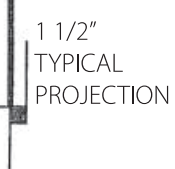
**CANTILEVER DOCK**



**FOUNDATION OFFSET**



**METAL PANEL**



PROJECTION  
PROJECTION  
1 1/2" TYPICAL PROJECTION